

Snap Cap Microcentrifuge Tubes

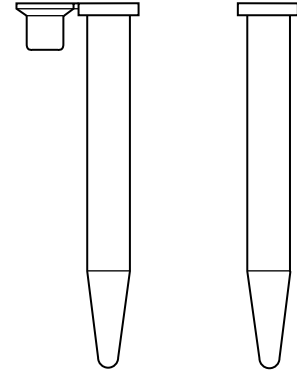
Our Microcentrifuge Tubes offer a combination of quality and features that result in superior products.

- Snap-seal closure provides a leak-tight seal.
- Translucent; excellent view of contents.
- Pierceable cap allows for sample removal.
- Flexible attachment arms.
- Non-wettable for complete sample recovery.
- Uniform wall thickness.
- Smooth interior wall surface to simplify sample recovery.
- Graduation marks on selected products for volume estimation.
- Frosted writing areas on selected products for easy identification.
- Polypropylene tubes are autoclavable to 120°C, freezable to -80°C.
- 0.6, 1.5 and 2.0ml tubes can easily withstand up to 17,000 X G (RCF).

0.4ml Tube and Cap

Low density polyethylene is soft and easily cut to remove pellets. Tubes are not autoclavable.

| Product No. | Color | Package Type | Qty/ Unit | Qty/ Case |
|-------------|---------|---------------------|--------------|--------------|
| 500 | Natural | Bagged (Tube & Cap) | 1,000 | 10,000 |
| 501 | Natural | Bagged (Tube Only) | 1,000 | 10,000 |

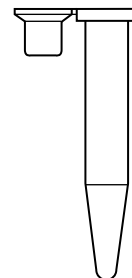


500

501

0.25ml Tube with Cap

| Product No. | Color | Package Type | Qty/ Unit | Qty/ Case |
|---------------------------------|---------|--------------|--------------|--------------|
| <i>Polypropylene</i> | | | | |
| 503 | Natural | Bagged | 1,000 | 10,000 |
| <i>Low Density Polyethylene</i> | | | | |
| 504 | Natural | Bagged | 1,000 | 10,000 |



Centrifuge Tubes and Racks

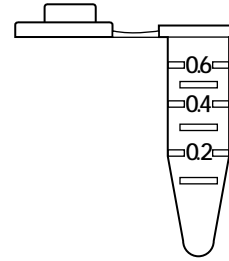
3

Snap Cap Microcentrifuge Tubes

0.6ml Graduated Tube with Flat Top Cap

Polypropylene tube and cap

Frosted writing area on tube and cap



| Product No. | Color | Package Type | Qty/ Unit | Qty/ Case | Price/ Unit |
|-------------|---------|-----------------|--------------|--------------|----------------|
| 502-GRD*** | Natural | Bagged | 1,000 | 10,000 | \$12.00 |
| 502-GRDS | Natural | Single Wrap - S | 500 | 5,000* | 19.00 |

*** A variety of colored tubes are available: red, blue, green, yellow, orange, violet, amber, or mixed. (Mixed: All colors except natural and amber are mixed together in the bag).

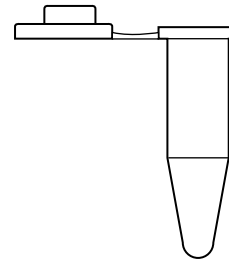
Note: Colored tubes must be ordered by the case. Add \$.50 per unit.

0.6ml Plain Tube with Flat Top Cap

Polypropylene tube and cap

"Preferred tube for PCR"

* PCR process is covered by patents owned by Hoffman-La Roche, Inc.



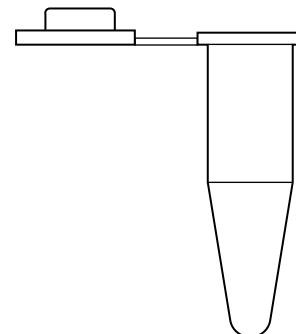
| Product No. | Color | Package Type | Qty/ Unit | Qty/ Case | Price/ Unit |
|-------------|---------|-----------------|--------------|--------------|----------------|
| 502-PLN*** | Natural | Bagged | 1,000 | 10,000 | \$12.00 |
| 502-PLNS | Natural | Single Wrap - S | 500 | 5,000* | 19.00 |

*** A variety of colored tubes are available: red, blue, green, yellow, orange, violet, amber or mixed. (Mixed: All colors except natural and amber are mixed together in the bag.)

Note: Colored tubes must be ordered by the case. Add \$.50 per unit.

1.5ml Tube with Indented Cap

Polypropylene tube and cap



| Product No. | Color | Package Type | Qty/ Unit | Qty/ Case | Price/ Unit |
|-------------|---------|-----------------|--------------|--------------|----------------|
| 505*** | Natural | Bagged | 500 | 5,000 | \$6.85 |
| 505-S | Natural | Single Wrap - S | 250 | 2,500* | 10.00 |

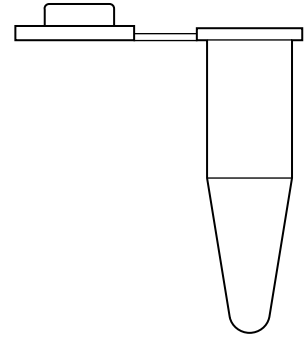
*** A variety of colored tubes are available: red, blue, green, yellow, orange, violet, amber, or mixed. (Mixed: All colors except natural and amber are mixed together in the bag.)

Note: Colored tubes must be ordered by the case. Add \$.25 per unit.

Snap Cap Microcentrifuge Tubes

1.5ml Tube with Flat Top Cap

Polypropylene tube and cap

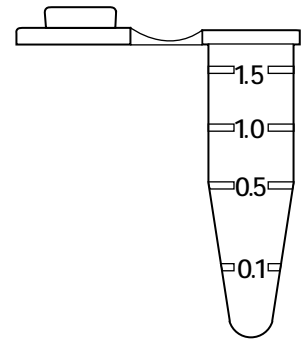


| Product No. | Color | Package Type | Qty/ Unit | Qty/ Case | Price/ Unit |
|-------------|---------|-----------------|--------------|--------------|----------------|
| 505-FT | Natural | Bagged | 500 | 5,000 | \$6.85 |
| 505-FTS | Natural | Single Wrap - S | 250 | 2,500* | 10.00 |

1.5ml Graduated Tube with Flat Top Cap

Polypropylene tube and cap

Frosted writing area on tube and cap



| Product No. | Color | Package Type | Qty/ Unit | Qty/ Case | Price/ Unit |
|-------------|---------|-----------------|--------------|--------------|----------------|
| 509-GRD*** | Natural | Bagged | 500 | 5,000 | \$6.85 |
| 509-GRDS | Natural | Single Wrap - S | 250 | 2,500* | 10.00 |

*** A variety of colored tubes are available: red, blue, green, yellow, orange, violet, amber, or mixed. (Mixed: All colors except natural and amber are mixed together in the bag.)

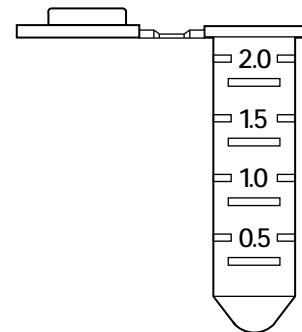
Note: Colored tubes must be ordered by the case. Add \$.25 per unit.

2.0ml Graduated Tube with Flat Top Cap

Polypropylene tube and cap

Frosted writing area on tube and cap

The 508-GRD can withstand centrifuge force up to 25,000 x G.



| Product No. | Color | Package Type | Qty/ Unit | Qty/ Case | Price/ Unit |
|-------------|---------|-----------------|--------------|--------------|----------------|
| 508-GRD*** | Natural | Bagged | 500 | 5,000 | \$8.75 |
| 508-GRDS | Natural | Single Wrap - S | 250 | 2,500* | 11.90 |

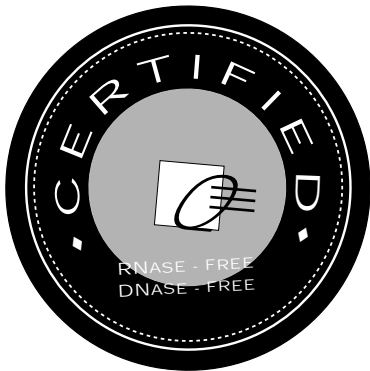
*** A variety of colored tubes are available: red, blue, green, yellow, orange, violet, amber, or mixed. (Mixed: All colors except natural and amber are mixed together in the bag.)

Note: Colored tubes must be ordered by the case. Add \$.25 per unit.

Centrifuge Tubes and Racks

3

Certified Snap Cap Microcentrifuge Tubes



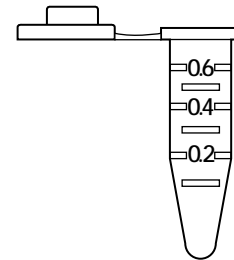
QSP® Certified Microcentrifuge Tubes are tested by an independent laboratory and are certified to be free of any RNase or DNase activity. Certificate of analysis available upon request.

- Both Standard and Low Adhesion tubes have frosted writing areas on the tube and flat top cap.
- Tubes are manufactured of polypropylene.
- Tubes with numbers ending with -SC are "Low Adhesion", manufactured with scientifically blended resins to minimize liquid retention and ensure optimum sample yield.

0.6ml Graduated Tube with Flat Top Cap

Frosted writing area on tube and cap

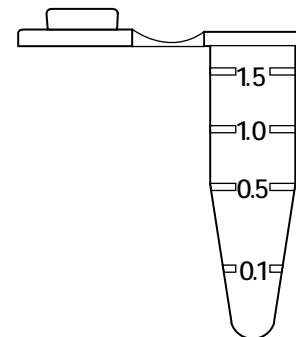
| Product No. | Color | Package Type | Qty/ Unit | Qty/ Case | Price/ Unit |
|--------------------|---------|--------------|--------------|--------------|----------------|
| C502-GRD | Natural | Bagged | 1,000 | 10,000 | \$13.00 |
| C502-GRD-SC | Natural | Bagged | 500 | 10,000 | 7.50 |



1.5ml Graduated Tube with Flat Top Cap

Frosted writing area on tube and cap

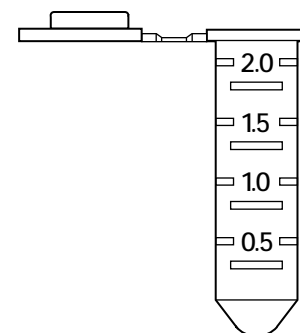
| Product No. | Color | Package Type | Qty/ Unit | Qty/ Case | Price/ Unit |
|--------------------|---------|--------------|--------------|--------------|----------------|
| C509-GRD | Natural | Bagged | 500 | 5,000 | \$7.35 |
| C509-GRD-SC | Natural | Bagged | 250 | 5,000 | 4.18 |



2.0ml Graduated Tube with Flat Top Cap

Frosted writing area on tube and cap

| Product No. | Color | Package Type | Qty/ Unit | Qty/ Case | Price/ Unit |
|--------------------|---------|--------------|--------------|--------------|----------------|
| C508-GRD | Natural | Bagged | 500 | 5,000 | \$9.25 |
| C508-GRD-SC | Natural | Bagged | 250 | 5,000 | 5.18 |



Low Adhesion Snap Cap Microcentrifuge Tubes

Procedures requiring a low adhesion surface such as protein work and nucleic acid amplifications are simplified with our Low Adhesion Snap Cap Microcentrifuge Tubes.

Scientifically blended resins eliminate the use of lubricants that may be harmful to priceless samples. Liquid retention is minimized and optimal yield is ensured.

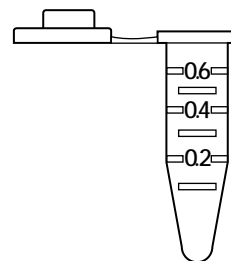
0.6ml Graduated Tube with Flat Top Cap

Frosted writing area on tube and cap

| Product No. | Color | Package Type | Qty/ Unit | Qty/ Case | Price/ Unit |
|---------------------------|---------|-----------------|-----------|-----------|-------------|
| 502-GRD-SC ⁺ | Natural | Bagged | 500 | 10,000 | \$7.00 |
| 502-GRD-SC-S ⁺ | Natural | Single Wrap - S | 500 | 5,000* | 20.00 |

*A variety of colored tubes are available: red, blue, green, yellow, orange, violet, amber, or mixed. (Mixed: All colors except natural and amber are mixed together in the bag.)

Note: Colored tubes must be ordered by the case. Add \$.50 per unit.



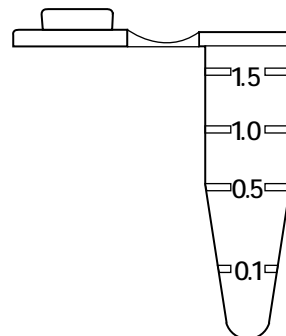
1.5ml Graduated Tube with Flat Top Cap

Frosted writing area on tube and cap

| Product No. | Color | Package Type | Qty/ Unit | Qty/ Case | Price/ Unit |
|---------------------------|---------|-----------------|-----------|-----------|-------------|
| 509-GRD-SC ⁺ | Natural | Bagged | 250 | 5,000 | \$3.93 |
| 509-GRD-SC-S ⁺ | Natural | Single Wrap - S | 250 | 2,500* | 10.50 |

*A variety of colored tubes are available: red, blue, green, yellow, orange, violet, amber, or mixed. (Mixed: All colors except natural and amber are mixed together in the bag.)

Note: Colored tubes must be ordered by the case. Add \$.25 per unit.



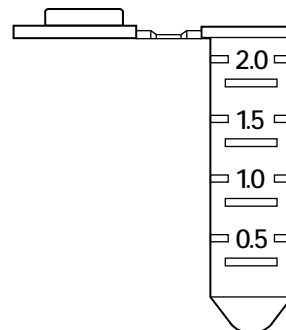
2.0ml Graduated Tube with Flat Top Cap

Frosted writing area on tube and cap

| Product No. | Color | Package Type | Qty/ Unit | Qty/ Case | Price/ Unit |
|---------------------------|---------|-----------------|-----------|-----------|-------------|
| 508-GRD-SC ⁺ | Natural | Bagged | 250 | 5,000 | \$5.50 |
| 508-GRD-SC-S ⁺ | Natural | Single Wrap - S | 250 | 2,500* | 12.40 |

*A variety of colored tubes are available: red, blue, green, yellow, orange, violet, amber, or mixed. (Mixed: All colors except natural and amber are mixed together in the bag.)

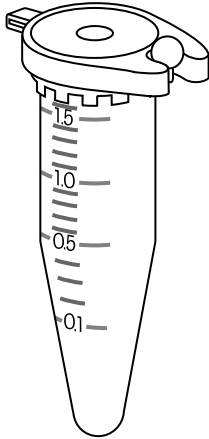
Note: Colored tubes must be ordered by the case. Add \$.25 per unit.



Centrifuge Tubes and Racks

3

Locking Cap Microcentrifuge Tubes



A superior lock for safe and convenient centrifuging, boiling, freezing, incubation or storage of samples. Whether the procedure is critical or routine, this will become your tube of choice.

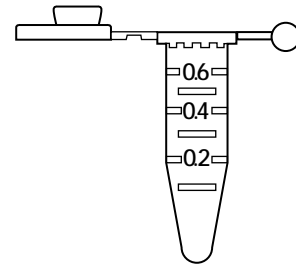
QSP® locking microcentrifuge tubes offer the same sample security as found with screw cap tubes yet maintain the same ease of use as a snap cap. Unique design allows visual confirmation that the tube is locked.

The pierceable cap snaps closed and the lock easily slips into place with a simple one hand operation. The larger, rounder cap design proves less stressful to the thumb. Smooth surfaces reduce the possibility of ripped or punctured gloves.

Manufactured of ultra clear, autoclavable polypropylene.

0.6ml Graduated Tube with Locking Cap

Tubes feature graduation marks at 0.1ml increments up to 0.6ml for quick reference. Maximum volume is 0.6ml. Frosted writing surfaces on the side of the tube and top of the cap are ideal for sample identification.



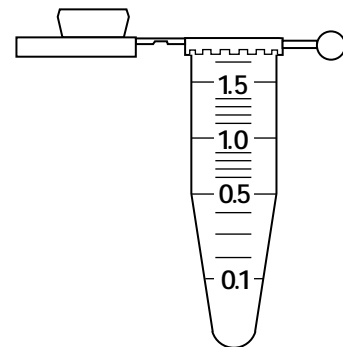
| Product No. | Color | Package Type | Qty/ Unit | Qty/ Case | Price/ Unit |
|-------------|---------|-----------------|--------------|--------------|----------------|
| L-502-GRD** | Natural | Bagged | 1,000 | 10,000 | \$12.25 |
| L-502-GRDS | Natural | Single Wrap - S | 500 | 5,000* | 19.25 |

** A variety of colored tubes are available: red, blue, green, yellow, orange, violet, amber, or mixed. (Mixed: All colors except natural and amber are mixed together in the bag.)

Note: Colored tubes must be ordered by the case. Add \$.50 per unit.

1.5-1.7ml Graduated Tube with Locking Cap

Tubes feature graduation marks at 0.1ml increments up to 1.6ml for quick reference. Maximum volume is 1.7ml. Frosted writing surfaces on the side of the tube and top of the cap are ideal for sample identification.



| Product No. | Color | Package Type | Qty/ Unit | Qty/ Case | Price/ Unit |
|-------------|---------|-----------------|--------------|--------------|----------------|
| L-510-GRD** | Natural | Bagged | 500 | 5,000 | \$7.10 |
| L-510-GRDS | Natural | Single Wrap - S | 250 | 2,500* | 10.25 |

** A variety of colored tubes are available: red, blue, green, yellow, orange, violet, amber, or mixed. (Mixed: All colors except natural and amber are mixed together in the bag.)

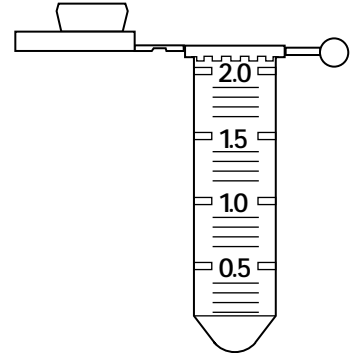
Note: Colored tubes must be ordered by the case. Add \$.25 per unit.

Locking Cap Microcentrifuge Tubes

2.0ml Graduated Tube with Locking Cap

Tubes feature graduation marks at 0.1ml increments up to 2.0ml for quick reference. Maximum volume is 2.0ml. Frosted writing surfaces on the side of the tube and top of the cap are ideal for sample identification.

The L-508-GRD can withstand centrifuge force up to 30,000 x G.



| Product No. | Color | Package Type | Qty/ Unit | Qty/ Case | Price/ Unit |
|--------------------|---------|-----------------|--------------|--------------|----------------|
| L-508-GRD** | Natural | Bagged | 500 | 5,000 | \$9.00 |
| L-508-GRDS | Natural | Single Wrap - S | 250 | 2,500* | 12.15 |

** A variety of colored tubes are available: red, blue, green, yellow, orange, violet, amber, or mixed. (Mixed: All colors except natural and amber are mixed together in the bag.)

Note: Colored tubes must be ordered by the case. Add \$.25 per unit.

Centrifuge Tubes and Racks

3

Screw Cap Microtubes & Caps

Manufactured of polypropylene, our microtubes are sturdy enough to withstand centrifugation (20,000 x G) and are suitable for vapor-phase liquid nitrogen storage, boiling and autoclaving.

- All tubes and caps feature a frosted writing area for easy identification.
- External ribs on tubes, position and lock them into place in racks with serrated holes, allowing single-handed opening and closing.
- Conical bottom allows for more complete sample retrieval.
- Autoclavable (Refer to Section 6 for recommended autoclaving instructions).
- Tubes and caps with or without O-Ring are available in amber for "Light Sensitive" samples.
- Pre-Sterilized tubes have the caps attached - 50 tubes with caps per bag/10 bags per unit. Sterilized by Gamma-Cobalt 60 Irradiation.

QSP® cap with molded in liner, MIL-526, is a revolutionary and cost reducing approach to screw cap technology. Starting with thermoplastic rubber engineered specifically for medical applications, high heat and pressure are used to fuse the rubber to the polypropylene cap as it is being molded. The resulting molded in liner forms a positive leak proof seal with the rim of our screw cap tubes and provides greater resistance to chemicals and fluids. Our new one-step automated manufacturing process allows hands-free production to ensure absolute cleanliness of the product.

MIL-526 is completely autoclavable.

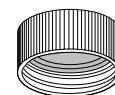
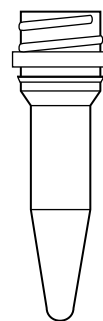
Our cap with or without O-ring, features a frosted writing area for easy sample identification and is easily pierced for sample removal.

QSP O-ring is manufactured of autoclavable ethylene/propylene. The positive seal formed by the O-ring against the rim of our screw cap tubes insures against leakage.

With *molded in liner*, with *O-ring* or *without O-ring*, QSP® screw caps easily align with the threads of the tubes, adding speed and efficiency to the on and off operation.

0.5ml Conical Tube and Caps

| Product No. | Color | Package Type | Qty/ Unit | Qty/ Case | Price/ Unit |
|-------------|---------|--|--------------|--------------|----------------|
| 511** | Natural | Bagged (Tube Only) | 500 | 5,000 | \$9.00 |
| MIL-512 | Natural | Bagged (Tube & Cap w Molded in Liner) | 500 | 5,000 | 22.00 |
| MIL-512-S | Natural | Bagged - S (Tube & Cap w Molded in Liner) | 500 | 2,500 | 33.00 |
| 512 | Natural | Bagged (Tube & Cap w O-Ring) | 500 | 5,000 | 25.00 |
| 512-S | Natural | Bagged - S (Tube & Cap w O-Ring) | 500 | 2,500 | 36.00 |



MIL Cap



Cap with or
w/o O-Ring

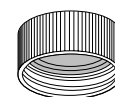
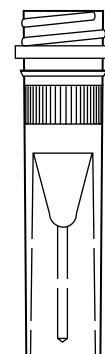
** Available in amber - Add \$.25 per unit.

Screw Cap Microtubes & Caps

0.5ml Free-Standing Tube and Caps

| Product No. | Color | Package Type | Qty/ Unit | Qty/ Case | Price/ Unit |
|------------------|---------|--|--------------|--------------|----------------|
| 516** | Natural | Bagged (Tube Only) | 500 | 5,000 | \$9.00 |
| MIL-517 | Natural | Bagged (Tube & Cap w Molded in Liner) | 500 | 5,000 | 22.00 |
| MIL-517-S | Natural | Bagged - S (Tube & Cap w Molded in Liner) | 500 | 2,500 | 33.00 |
| 517 | Natural | Bagged (Tube & Cap w O-Ring) | 500 | 5,000 | 25.00 |
| 517-S | Natural | Bagged - S (Tube & Cap w O-Ring) | 500 | 2,500 | 36.00 |

** Available in amber - Add \$.25 per unit.



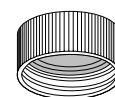
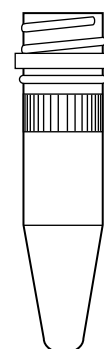
MIL Cap

Cap with or
w/o O-Ring

1.5ml Conical Tube and Caps

| Product No. | Color | Package Type | Qty/ Unit | Qty/ Case | Price/ Unit |
|------------------|---------|--|--------------|--------------|----------------|
| 513 | Natural | Bagged (Tube & Cap w/o O-Ring) | 500 | 5,000 | \$18.50 |
| 514** | Natural | Bagged (Tube Only) | 500 | 5,000 | 9.00 |
| MIL-515 | Natural | Bagged (Tube & Cap w Molded in Liner) | 500 | 5,000 | 22.00 |
| MIL-515-S | Natural | Bagged - S (Tube & Cap w Molded in Liner) | 500 | 2,500 | 33.00 |
| 515 | Natural | Bagged (Tube & Cap w O-Ring) | 500 | 5,000 | 25.00 |
| 515-S | Natural | Bagged - S (Tube & Cap w O-Ring) | 500 | 2,500 | 36.00 |

** Available in amber - Add \$.25 per unit.



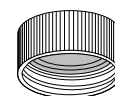
MIL Cap

Cap with or
w/o O-Ring

1.5ml Free-Standing Tube and Caps

| Product No. | Color | Package Type | Qty/ Unit | Qty/ Case | Price/ Unit |
|------------------|---------|--|--------------|--------------|----------------|
| 527 | Natural | Bagged (Tube & Cap w/o O-Ring) | 500 | 5,000 | \$18.50 |
| 528** | Natural | Bagged (Tube Only) | 500 | 5,000 | 9.00 |
| MIL-529 | Natural | Bagged (Tube & Cap w Molded in Liner) | 500 | 5,000 | 22.00 |
| MIL-529-S | Natural | Bagged - S (Tube & Cap w Molded in Liner) | 500 | 2,500 | 33.00 |
| 529 | Natural | Bagged (Tube & Cap w O-Ring) | 500 | 5,000 | 25.00 |
| 529-S | Natural | Bagged - S (Tube & Cap w O-Ring) | 500 | 2,500 | 36.00 |

** Available in amber - Add \$.25 per unit.



MIL Cap

Cap with or
w/o O-Ring

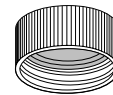
Centrifuge Tubes and Racks

3

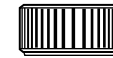
Screw Cap Microtubes & Caps

2.0ml Conical Tube and Cap

| Product No. | Color | Package Type | Qty/ Unit | Qty/ Case | Price/ Unit |
|-------------|---------|--|--------------|--------------|----------------|
| 521** | Natural | Bagged (Tube Only) | 500 | 5,000 | \$9.00 |
| MIL-522 | Natural | Bagged (Tube & Cap w Molded in Liner) | 500 | 5,000 | 22.00 |
| MIL-522-S | Natural | Bagged - S (Tube & Cap w Molded in Liner) | 500 | 2,500 | 33.00 |
| 522 | Natural | Bagged (Tube & Cap w O-Ring) | 500 | 5,000 | 25.00 |
| 522-S | Natural | Bagged - S (Tube & Cap w O-Ring) | 500 | 2,500 | 36.00 |



MIL Cap

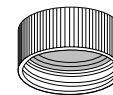
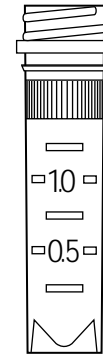


Cap with or
w/o O-Ring

** Available in amber - Add \$.25 per unit.

2.0ml "Graduated" Free-Standing Tube and Caps

| Product No. | Color | Package Type | Qty/ Unit | Qty/ Case | Price/ Unit |
|---------------|---------|--|--------------|--------------|----------------|
| 518-GRD | Natural | Bagged (Tube & Cap w/o O-Ring) | 500 | 5,000 | \$18.50 |
| 519-GRD** | Natural | Bagged (Tube Only) | 500 | 5,000 | 9.00 |
| MIL-520-GRD | Natural | Bagged (Tube & Cap w Molded in Liner) | 500 | 5,000 | 22.00 |
| MIL-520-GRD-S | Natural | Bagged - S (Tube & Cap w Molded in Liner) | 500 | 2,500 | 33.00 |
| 520-GRD | Natural | Bagged (Tube & Cap w O-Ring) | 500 | 5,000 | 25.00 |
| 520-GRDS | Natural | Bagged - S (Tube & Cap w O-Ring) | 500 | 2,500 | 36.00 |



MIL Cap

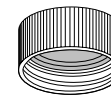


Cap with or
w/o O-Ring

** Available in amber - Add \$.25 per unit.

Screw Cap (with Molded in Liner) for Microtubes

| Product No. | Color | Package Type | Qty/ Unit | Qty/ Case | Price/ Unit |
|-------------|---------|--------------|--------------|--------------|----------------|
| MIL-526* | Natural | Bagged | 500 | 5,000 | \$13.00 |



Cross Section

Screw Cap (with or without O-Ring) for Microtubes

| Product No. | Color | Package Type | Qty/ Unit | Qty/ Case | Price/ Unit |
|-------------|---------|------------------------------|--------------|--------------|----------------|
| 524* | Natural | Bagged (Cap Only w/o O-Ring) | 500 | 5,000 | \$9.50 |
| 525* | Natural | Bagged (Cap Only w O-Ring) | 500 | 5,000 | 16.00 |



Cap with or
w/o O-Ring

* A variety of colored caps are available: red, blue, green, yellow, orange, pink, violet, amber, white, black or mixed.
(Mixed: All colors except natural, black, white and amber are mixed together in the bag.)

Note: Order black as BLK.

Note: Colored caps must be ordered by the case. Add \$.25 per unit.

Screw Cap Microtubes & Tether Cap

Leash and Loop Molded in Tether

Cap mix-up and sample contamination can be avoided with the QSP® tether screw cap. The molded in tether (leash and loop) allows the cap to remain attached to the body of the tube whether the cap is open or closed.

When attached to the screw cap microtube, the tether rotates freely for easy opening and closing of the cap. Tethered caps can be easily removed from the tubes if desired.

Caps are manufactured of ultragrade polypropylene and are available with or without an O-Ring. O-Rings are made of autoclavable ethylene/propylene and form a positive seal with the rim of our tubes-the best insurance against leakage.

Tubes and caps are manufactured of polypropylene and can withstand centrifugation (20,000 x G). They are also suitable for vapor-phase liquid nitrogen storage, boiling and autoclaving. (Refer to Section 6 for recommended autoclaving instructions).

- All tubes and caps feature a frosted writing area for easy identification.
- Tether caps are available in a variety of colors for quick color coding.
- External ribs on tubes position and lock them into place in racks with serrated holes, allowing single-handed opening and closing.
- Conical bottom of tubes allows for more complete sample retrieval.
- Available in amber for *light sensitive samples*.

Packaging Options

Connected Tubes and Caps - To save researchers and technicians valuable time and effort, caps are connected, but not screwed onto the tube, allowing quick access and ease of use. Unit package is 500 tubes with connected caps in one bag.

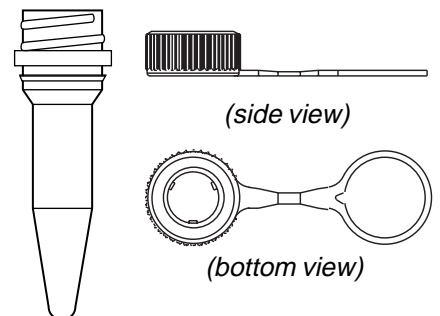
Non-Connected Tubes and Caps - Unit package is 500 tubes and a packet of tether caps in one bag.

Pre-Sterilized Tubes - Tether caps are attached and screwed onto the tubes. 50 tubes with caps per bag/10 bags per unit. Sterilized by Gamma-Cobalt 60 Irradiation.

Note: Connected, Non-Connected and Sterilized versions come with *Natural Colored caps* and tubes.

0.5ml Conical Tube and Tether Cap

| Product No. | Color | Package Type | Qty/ Unit | Qty/ Case | Price/ Unit |
|-------------|---------|--|-----------|-----------|-------------|
| 511** | Natural | Bagged (Tube Only) | 500 | 5,000 | \$9.00 |
| TC-511 | Natural | Bagged (Tube & Connected Cap w O-Ring) | 500 | 5,000 | 30.75 |
| TC-512 | Natural | Bagged (Tube & Non-Connected Cap w O-Ring) | 500 | 5,000 | 25.50 |
| TC-512-S | Natural | Bagged - S (Tube & Cap w O-Ring) | 500 | 2,500 | 42.30 |



** Available in amber - Add \$.25 per unit.

Centrifuge Tubes and Racks

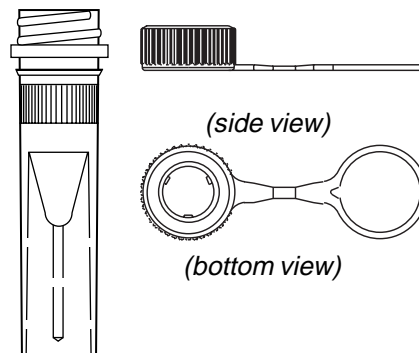
3

Screw Cap Microtubes & Tether Cap

0.5ml Free-Standing Tube and Tether Cap

| Product No. | Color | Package Type | Qty/ Unit | Qty/ Case | Price/ Unit |
|-------------|---------|--|--------------|--------------|----------------|
| 516** | Natural | Bagged (Tube Only) | 500 | 5,000 | \$9.00 |
| TC-516 | Natural | Bagged (Tube & Connected Cap w O-Ring) | 500 | 5,000 | 30.75 |
| TC-517 | Natural | Bagged (Tube & Non-Connected Cap w O-Ring) | 500 | 5,000 | 25.50 |
| TC-517-S | Natural | Bagged - S (Tube & Cap w O-Ring) | 500 | 2,500 | 42.30 |

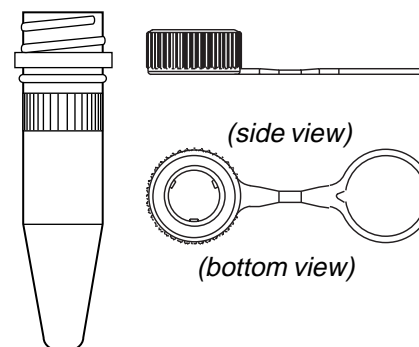
** Available in amber - Add \$.25 per unit.



1.5ml Conical Tube and Tether Cap

| Product No. | Color | Package Type | Qty/ Unit | Qty/ Case | Price/ Unit |
|-------------|---------|--|--------------|--------------|----------------|
| TC-513 | Natural | Bagged (Tube & Non-Connected Cap w/o O-Ring) | 500 | 5,000 | \$19.00 |
| 514** | Natural | Bagged (Tube Only) | 500 | 5,000 | 9.00 |
| TC-514 | Natural | Bagged (Tube & Connected Cap w O-Ring) | 500 | 5,000 | 30.75 |
| TC-515 | Natural | Bagged (Tube & Non-Connected Cap w O-Ring) | 500 | 5,000 | 25.50 |
| TC-515-S | Natural | Bagged - S (Tube & Cap w O-Ring) | 500 | 2,500 | 42.30 |

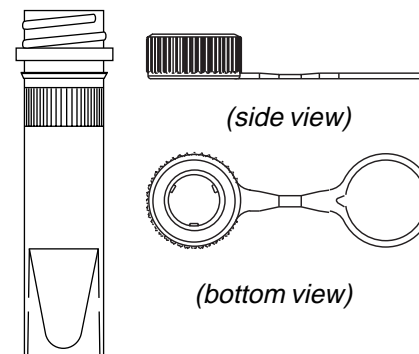
** Available in amber - Add \$.25 per unit.



1.5ml Free-Standing Tube and Tether Cap

| Product No. | Color | Package Type | Qty/ Unit | Qty/ Case | Price/ Unit |
|-------------|---------|--|--------------|--------------|----------------|
| TC-527 | Natural | Bagged (Tube & Non-Connected Cap w/o O-Ring) | 500 | 5,000 | \$19.00 |
| 528** | Natural | Bagged (Tube Only) | 500 | 5,000 | 9.00 |
| TC-528 | Natural | Bagged (Tube & Connected Cap w O-Ring) | 500 | 5,000 | 30.75 |
| TC-529 | Natural | Bagged (Tube & Non-Connected Cap w O-Ring) | 500 | 5,000 | 25.50 |
| TC-529-S | Natural | Bagged - S (Tube & Cap w O-Ring) | 500 | 2,500 | 42.30 |

** Available in amber - Add \$.25 per unit.

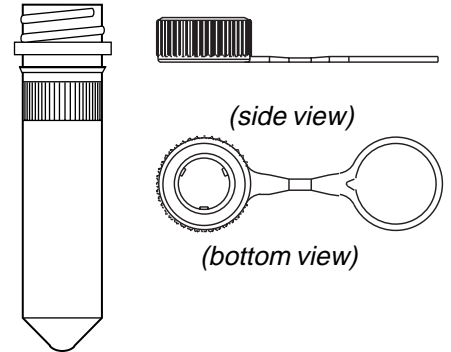


Screw Cap Microtubes & Tether Cap

2.0ml Conical Tube and Tether Cap

| Product No. | Color | Package Type | Qty/ Unit | Qty/ Case | Price/ Unit |
|-------------|---------|--|--------------|--------------|----------------|
| 521** | Natural | Bagged (Tube Only) | 500 | 5,000 | \$9.00 |
| TC-521 | Natural | Bagged (Tube & Connected Cap w O-Ring) | 500 | 5,000 | 30.75 |
| TC-522 | Natural | Bagged (Tube & Non-Connected Cap w O-Ring) | 500 | 5,000 | 25.50 |
| TC-522-S | Natural | Bagged - S (Tube & Cap w O-Ring) | 500 | 2,500 | 42.30 |

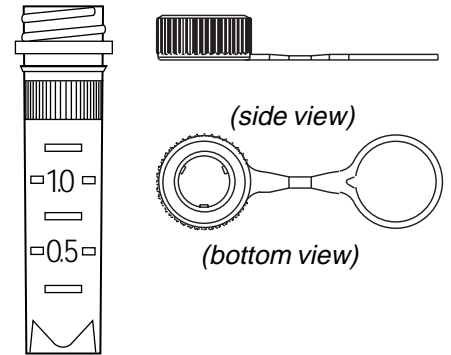
** Available in amber - Add \$.25 per unit.



2.0ml "Graduated" Free-Standing Tube and Tether Cap

| Product No. | Color | Package Type | Qty/ Unit | Qty/ Case | Price/ Unit |
|-------------|---------|--|--------------|--------------|----------------|
| TC-518-GRD | Natural | Bagged (Tube & Non-Connected Cap w/o O-Ring) | 500 | 5,000 | \$19.00 |
| 519-GRD** | Natural | Bagged (Tube Only) | 500 | 5,000 | 9.00 |
| TC-519-GRD | Natural | Bagged (Tube & Connected Cap w O-Ring) | 500 | 5,000 | 30.75 |
| TC-520-GRD | Natural | Bagged (Tube & Non-Connected Cap w O-Ring) | 500 | 5,000 | 25.50 |
| TC-520-GRDS | Natural | Bagged - S (Tube & Cap w O-Ring) | 500 | 2,500 | 42.30 |

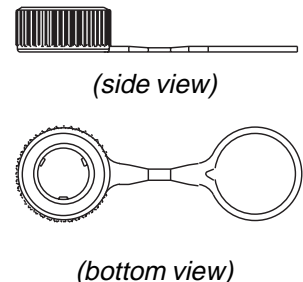
** Available in amber - Add \$.25 per unit.



Tether Screw Cap for Microtubes

With or without O-Ring

| Product No. | Color | Package Type | Qty/ Unit | Qty/ Case | Price/ Unit |
|-------------|---------|--------------------------------|--------------|--------------|----------------|
| TC-524+ | Natural | Bagged - (Cap Only w/o O-Ring) | 500 | 5,000 | \$10.00 |
| TC-525+ | Natural | Bagged - (Cap Only w O-Ring) | 500 | 5,000 | 16.50 |



+ A variety of colored caps are available: red, blue, green, yellow, orange, violet, amber, white, black or mixed. (Mixed: All colors except natural, black, white and amber are mixed together in the bag.)

Note: Order black as BLK.

Note: Colored caps must be ordered by the case. Add \$.25 per unit.

Centrifuge Tubes and Racks

3

Low Adhesion Screw Cap Microtubes

Procedures requiring a low adhesion surface such as protein work and nucleic acid amplifications are simplified with our Low Adhesion Screw Cap Microtubes.

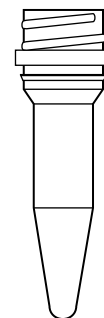
Scientifically blended resins eliminate the use of lubricants that may be harmful to priceless samples. Liquid retention is minimized and optimal yield is ensured.

Additional information about the tubes and four different QSP® caps can be found under: Screw Cap Microtubes & Caps and Screw Cap Microtubes & Tether Cap.

Refer to Section 6 for recommended autoclaving instructions.

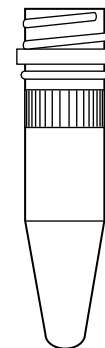
0.5ml Screw Cap Microtube

| Product No. | Color | Package Type | Qty/ Unit | Qty/ Case | Price/ Unit |
|-------------|---------|--------------------|--------------|--------------|----------------|
| 511-SC | Natural | Bagged (Tube Only) | 500 | 5,000 | \$10.00 |



1.5ml Screw Cap Microtube

| Product No. | Color | Package Type | Qty/ Unit | Qty/ Case | Price/ Unit |
|-------------|---------|--------------------|--------------|--------------|----------------|
| 514-SC | Natural | Bagged (Tube Only) | 500 | 5,000 | \$10.00 |



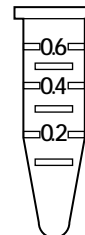
Capless Microcentrifuge Tubes & Plug Closure

- Researchers can save valuable time by eliminating the need to cut off caps.
- Ideal for those procedures that do not require storage.
- Collecting fractions and mixing reagents is simplified with these capless, ultragrade polypropylene tubes.
- All three tubes feature frosted writing areas and graduation marks for quick volume estimation.

0.6ml Graduated Tube

Polypropylene tube

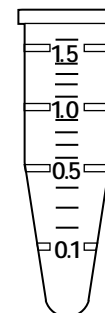
| Product No. | Color | Package Type | Qty/ Unit | Qty/ Case | Price/ Unit |
|-------------|---------|--------------|--------------|--------------|----------------|
| NC-502-GRD | Natural | Bagged | 1,000 | 10,000 | \$11.50 |



1.5ml Graduated Tube

Polypropylene tube

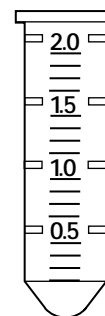
| Product No. | Color | Package Type | Qty/ Unit | Qty/ Case | Price/ Unit |
|-------------|---------|--------------|--------------|--------------|----------------|
| NC-509-GRD | Natural | Bagged | 1,000 | 10,000 | \$13.20 |



2.0ml Graduated Tube

Polypropylene tube

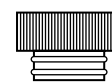
| Product No. | Color | Package Type | Qty/ Unit | Qty/ Case | Price/ Unit |
|-------------|---------|--------------|--------------|--------------|----------------|
| NC-508-GRD | Natural | Bagged | 1,000 | 10,000 | \$17.00 |



Plug Closure for 1.5ml and 2.0ml Capless Tubes

Low Density Polyethylene plug

| Product No. | Color | Package Type | Qty/ Unit | Qty/ Case | Price/ Unit |
|-------------|-------|--------------|--------------|--------------|------------------------------|
| 506** | White | Bagged | 1,000 | 5,000 | \$6.00 <i>No Discount</i> |



** A variety of colored plugs are available: red, blue, green or yellow.
Note: Colored plugs must be ordered by the case. Add \$.50 per unit.

Micro Titer tube, Micro Titer tube Jr. & Plug Strip

Micro Titer tubes

Pre-racked in an 8 x 12 format, our Micro Titer tubes are offered in the standard 1.2ml or as the Micro Titer tube Jr. 0.75ml. Both can be autoclaved, sealed and frozen for storage. Our tubes offer additional volume capacity for sample dilution and/or mixing prior to transfer into micro titer plates. They are also ideal for a wide variety of laboratory procedures such as HTLV-III testing, RIA, EIA, PCR, pharmaceutical quality control, blood bank sample freezer storage or transport of specimens and reagents. They are available plain or with frosted writing areas.

Plug Strip

Our polyethylene plugs seal tightly for storage. Eight plugs per strip, they may be used with rows of tubes or easily cut apart for individual samples. They are available pre-sterilized as the material will not withstand autoclaving.

Racks

Two styles of racks and a reloading system are available. All are designed to accommodate 96 micro titer tubes in the convenient microtiter (8 x 12) format for ease of use in procedures requiring multi-channel pipetters.

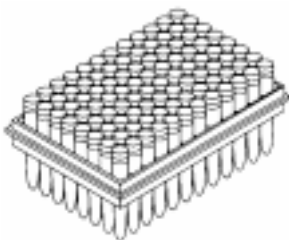
Tubes, racks and loading system are manufactured of superior grade polypropylene, are completely autoclavable and can be frozen to -80° C.

Robotic Workstation Compatible Rack

Specifically designed with the 96 well footprint necessary for robotic workstations such as Beckman®, Tecan, Cetus®/Propette®, Tomtec® and other dilutors and dispensers. The one way lid design, coupled with easy to read alpha-numeric molded in grids on the rack and cover, provides easy sample identification. Condensation rings on the inside of the cover minimize cross contamination. Internally supported, the tubes remain in a straight and upright position.

Compact Tray Pack

Our compact tray pack provides an economical alternative when a robotic compatible rack is not needed. This rack features a snug, smooth fitting cover which protects contents and enables stacking for compact storage (5,800 samples/ft3). Each rack comes with a paper grid for easy identification of contents.



Loading System

Designed to be used with QSP®'s robotic workstation compatible and compact tray pack. With ease and speed, empty racks can be re-loaded. Conveniently packaged in a zip lock bag, simply remove the loading system, place in an empty rack and it's ready for use.

Micro Titer tubes and Plug Strip

2

Micro Titer tube, Micro Titer tube Jr. & Plug Strip

0.75ml Micro Titer tube Jr.

Polypropylene

| Product No. | Color | Package Type | Qty/ Unit | Qty/ Case | Price/ Unit |
|-------------------|---------|--------------------|--------------|--------------|----------------|
| 840 | Natural | Bagged | 1,000 | 10,000 | \$10.35 |
| RC-840-TP | Natural | Robotic Rack | 960 | 4,800 | 16.45 |
| RC-840-TPS | Natural | Robotic Rack - S | 960 | 4,800 | 18.45 |
| 840-TP | Natural | Tray Pack | 960 | 4,800 | 15.95 |
| 840-TPS | Natural | Tray Pack - S | 960 | 4,800 | 17.95 |
| LS-840 | Natural | Loading System | 960 | 4,800 | 13.50 |
| LS-840-S | Natural | Loading System - S | 960 | 4,800 | 15.50 |



1.2ml Micro Titer tube

Polypropylene

| Product No. | Color | Package Type | Qty/ Unit | Qty/ Case | Price/ Unit |
|-------------------|---------|--------------------|--------------|--------------|----------------|
| 845 | Natural | Bagged | 1,000 | 10,000 | \$10.35 |
| RC-845-TP | Natural | Robotic Rack | 960 | 4,800 | 16.45 |
| RC-845-TPS | Natural | Robotic Rack - S | 960 | 4,800 | 18.45 |
| 845-TP | Natural | Tray Pack | 960 | 4,800 | 15.95 |
| 845-TPS | Natural | Tray Pack - S | 960 | 4,800 | 17.95 |
| LS-845 | Natural | Loading System | 960 | 4,800 | 13.50 |
| LS-845-S | Natural | Loading System - S | 960 | 4,800 | 15.50 |



1.2ml Micro Titer tube (w/ writing area)

Polypropylene

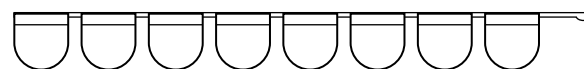
| Product No. | Color | Package Type | Qty/ Unit | Qty/ Case | Price/ Unit |
|--------------------|---------|--------------------|--------------|--------------|----------------|
| 845-F | Natural | Bagged | 1,000 | 10,000 | \$10.35 |
| RC-845-FTP | Natural | Robotic Rack | 960 | 4,800 | 16.45 |
| RC-845-FTPS | Natural | Robotic Rack - S | 960 | 4,800 | 18.45 |
| 845-FTP | Natural | Tray Pack | 960 | 4,800 | 15.95 |
| 845-FTPS | Natural | Tray Pack - S | 960 | 4,800 | 17.95 |
| LS-845-F | Natural | Loading System | 960 | 4,800 | 13.50 |
| LS-845-FS | Natural | Loading System - S | 960 | 4,800 | 15.50 |



Plug Strip

Low Density Polyethylene

8 plugs per strip - 12 strips per bag - 10 bags per unit



| Product No. | Color | Package Type | Qty/ Unit | Qty/ Case | Price/ Unit |
|--------------|---------|--------------|--------------|--------------|----------------|
| 847 | Natural | Bagged | 960 | 4,800 | \$7.20 |
| 847-S | Natural | Bagged - S | 960 | 4,800 | 8.40 |

60

w - with
w/o - without

H - Hinged
S - Sterile

* - may be purchased by the unit

Low Adhesion Micro Titer tube & Micro Titer tube Jr.

Our low adhesion Micro Titer tube is injection molded with scientifically blended resins to minimize liquid retention and ensure optimal sample yield. This advanced technique eliminates the use of lubricants that may be harmful to priceless samples. Our low adhesion tubes are autoclavable.

0.75ml Micro Titer tube Jr.

Low Adhesion Polypropylene

| Product No. | Color | Package Type | Qty/ Unit | Qty/ Case | Price/ Unit |
|---------------------|---------|--------------|--------------|--------------|----------------|
| 840-SC | Natural | Bagged | 500 | 5,000 | \$6.18 |
| 840-TP-SC | Natural | Tray Pack | 960 | 4,800 | 17.95 |
| RC-840-TP-SC | Natural | Robotic Rack | 960 | 4,800 | 18.45 |



1.2ml Micro Titer tube

Low Adhesion Polypropylene

| Product No. | Color | Package Type | Qty/ Unit | Qty/ Case | Price/ Unit |
|---------------------|---------|--------------|--------------|--------------|----------------|
| 845-SC | Natural | Bagged | 500 | 5,000 | \$6.18 |
| 845-TP-SC | Natural | Tray Pack | 960 | 4,800 | 17.95 |
| RC-845-TP-SC | Natural | Robotic Rack | 960 | 4,800 | 18.45 |

